



USB 4000 & 4003

User manual

USB 4000 & USB 4003

Home theater speakers



Introduction

Thank you for purchasing US Blaster products, and welcome to the US Blaster family of satisfied customers!

US Blaster was established to fulfill the need for high quality speakers of exceptional design at an affordable price. After years of research and development US Blaster is able to offer you speakers of superior value.

Each speaker component has been designed and engineered with first-rate materials to produce exceptional sound. Our speakers offer the best of it all – high-quality sound, hand-made solid construction, and a remarkably stylish appearance.

We welcome you to witness the results. Our team's dedication to quality, reliability and attractive design has created some of the best-value speakers you can find today.

Reading this manual fully will help you to set up your speaker properly and reward you with a fine listening experience.

Connections

Make sure all equipment is turned off. When connecting the speakers, be sure to retain the correct polarity. Most speaker cables will have (+) red sign for positive and (-) black sign for negative. Connect the speaker cable to the positive (+) front-left speaker terminal on the amplifier and to the positive (+) terminal on the front-left speaker. Connect the speaker cable to the negative (-) front-left speaker terminal on the amplifier and to the negative (-) terminal on the front left speaker.

Repeat the same step for the right-side front speaker. This method can be applied to bi-wire terminals as long as the shorting straps are in place. If your amplifier is equipped with bi-wire output connection, remove the shorting straps and connect each terminal to the associated terminal in your amplifier.

Connect the speaker cable to the positive (+) center speaker terminal on the amplifier and to the positive (+) terminal on the center speaker. Connect the speaker cable to the negative (-) center speaker terminal on the amp and to the negative (-) terminal on the center speaker.

Connect the speaker cable to the positive (+) rear left speaker terminal on the amplifier and to the positive (+) terminal on the rear-left speaker. Connect the speaker cable to the negative (-) rear-left speaker terminal on the amplifier and to the negative (-) terminal on the rear-left speaker.

Repeat the same step for the right-side rear speaker.



Position

THE FRONT SPEAKERS

Should be placed on each side of your TV or in front of your favorite listening position. As a general guideline the space from the speakers to the listening position should be 1.5 times the distance between the speakers. For example if your listening position is 9ft (2.7m) away from the speakers, the distance between the speakers should be 6ft (1.8m)

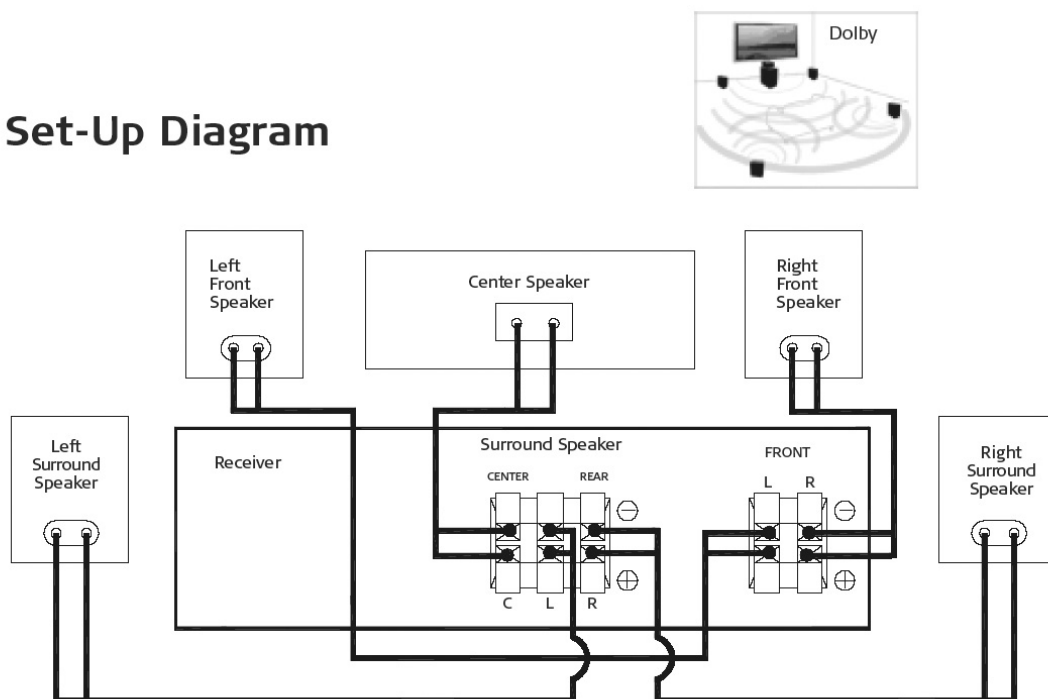
THE CENTER CHANNEL SPEAKER

Should be on top of or just above your TV.

THE REAR (SURROUND) SPEAKERS

Should be positioned either to the side of, or behind, your listening position. Typical placement is on the side walls, slightly above ear level, about two-thirds of the way back from the front of the room. This allows the surround speakers to aim directly at the listener, placing you in the middle of a five-speaker sound field.

Set-Up Diagram



Running time and cleaning

The performance of the speakers may change during the initial use due to storage and mechanical limitations. Please allow 15 hours of use for the temperature effect and mechanical parts to attain their intended design characteristics.

Make sure to turn all equipment off before cleaning. The cabinet only requires occasional dusting. Please avoid touching the drive units.

USB 4000 & USB 4003



Technical specifications

	Front	Center	Satellite	USB 4003
POWER HANDLING	300 Watts	150 Watts	150 Watts	175 Watts
FREQUENCY RESPONSE (+/-3dB)	38Hz - 22Khz	60Hz - 22Khz	70Hz-22Khz	39Hz - 22Khz
SITIVITY (+/-3DB)	89dB	89dB	89dB	89dB
IMPEDANCE	8 Ohm Compatible	8 Ohm Compatible	8 Ohm Compatible	8 Ohm Compatible
DRIVER COMPLEMENT	3 way Drav Fig.	2 way DRAV FIG. magnetic shielding bass reflex	2 way DRAV FIG.	3 way, 3 Drav Fig, bass reflex
WOOFER	Two 6.5" (165-mm) woofer FPC CON for low frequencies	Two 5.25" (133-mm) midwoofer- driver FPC CON	One 5.25" (133-mm) midwoofer- driver FPC CON	One 6.5" (165-mm) side woofer PC CON for low frequencies
MIDRANGE	One 6.5" (165-mm) Mid- Driver FPC CON for mid			One 5.25" (133-mm) Mid-Driver FPC CON for mid
TWEETER	1" (25-mm) silk SCOS dome	1" (25-mm) silk SCOS dome	1" (25-mm) silk SCOS dome	1" (25-mm) silk SCOS dome
CROSSOVER FREQUENCY	2500 / 3500 Hz	2700 Hz	3500 Hz	2500 / 3500 Hz
DIMENSIONS (HXWXD)	101x21x31 Cm	15x48x16 Cm	34x17.5x19 Cm	48x21x31 Cm
WEIGHT	7.8 Kg (18 Lbs) each	2.3 Kg (5 Lbs)	3.6 Kg (8 Lbs) each	11.5 Kg each
FINISH	Black	Black	Black	Black
GRILLE	Black cloth	Black cloth	Black cloth	Black cloth
VIDEO SHIELDING	No	Yes	No	No